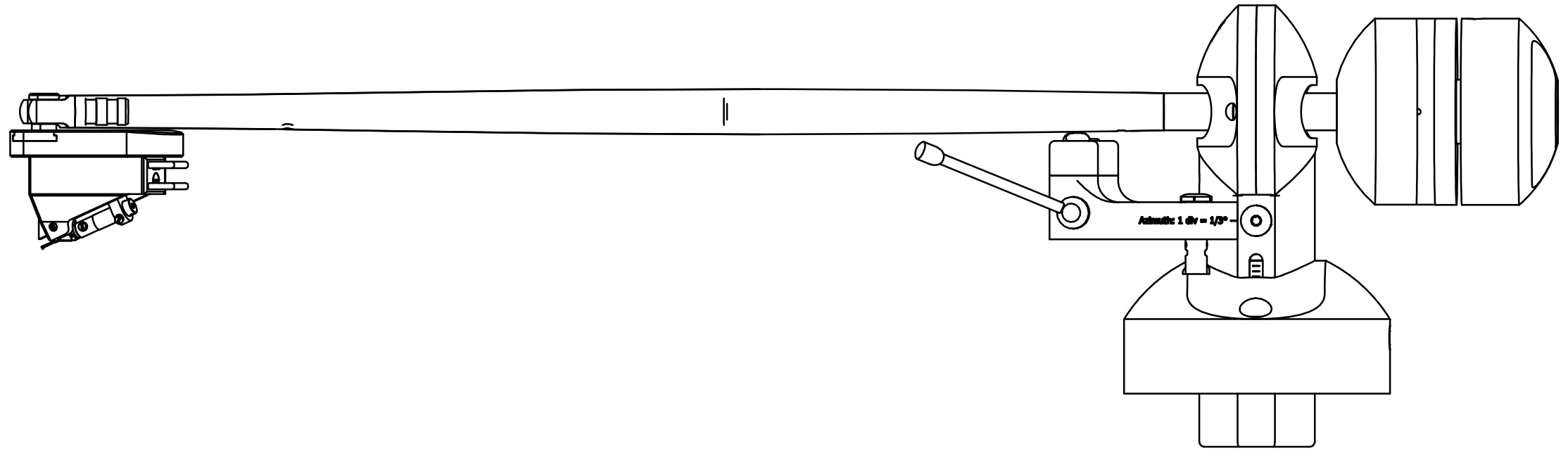
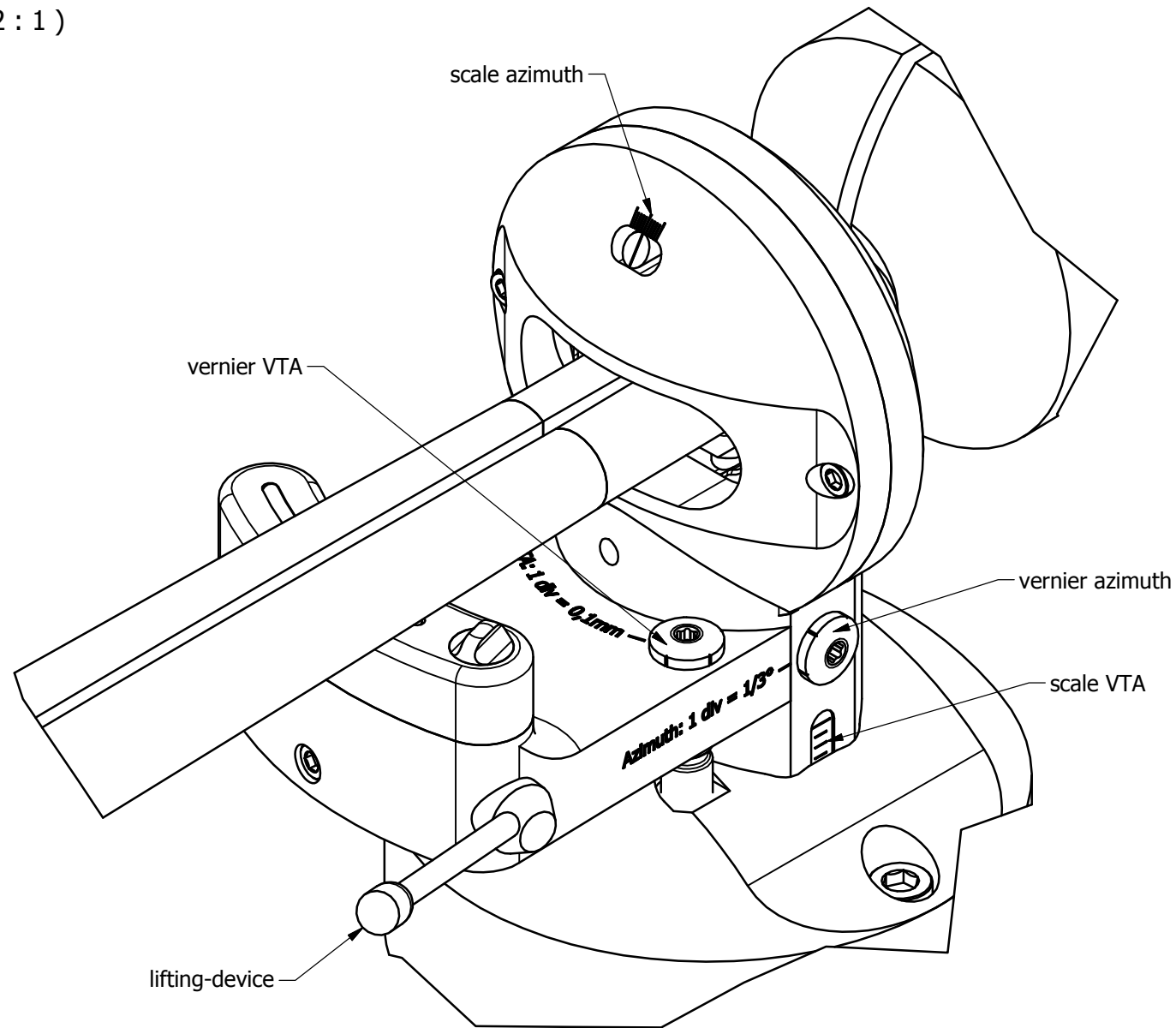


1 : 1

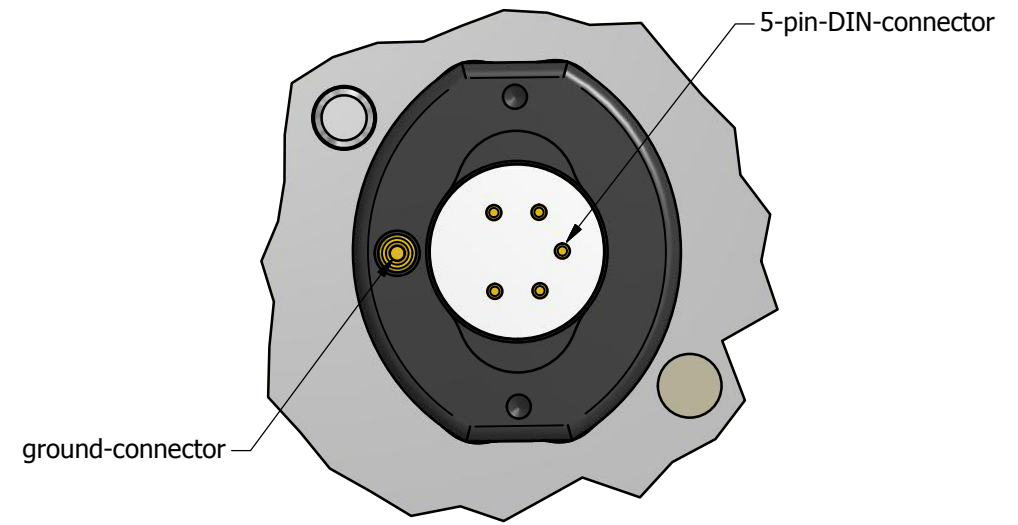


(2 : 1)



A
↑

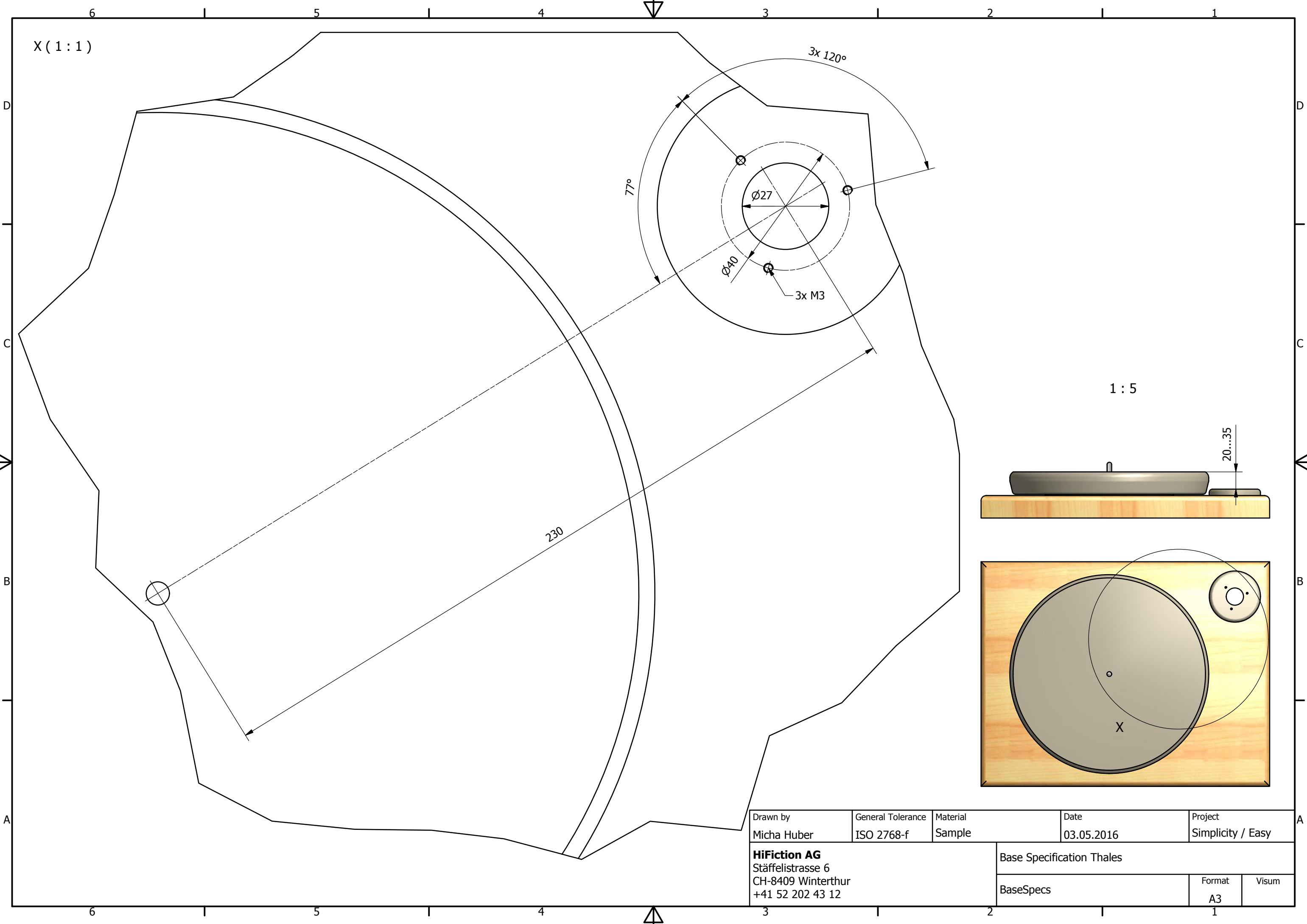
A (2 : 1)



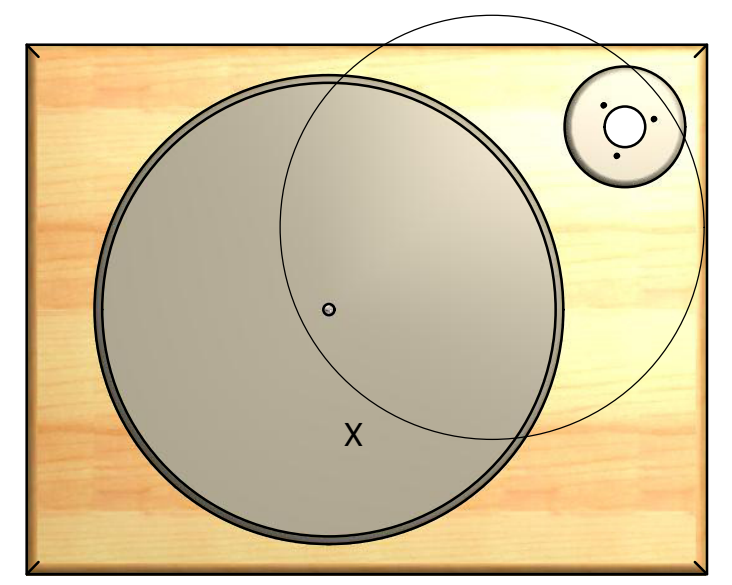
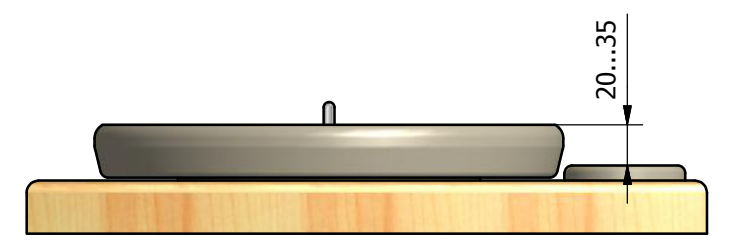
mounting distance	[mm]	230
eff. length	[mm]	19
eff. mass	[g]	25
tracking error	[°]	±0,006
offset angle	[°]	8...19
cartridge weight	[g]	7 - 20

Drawn by Micha Huber	General Tolerance ISO 2768-f	Material Assembly	Date 26.01.2018	Project Statement
HiFiction AG Stäffelstrasse 6 CH-8409 Winterthur +41 52 202 43 12			Thales Statement Datasheet	
			Format A3	Visum

X(1:1)



1:5



Drawn by Micha Huber	General Tolerance ISO 2768-f	Material Sample	Date 03.05.2016	Project Simplicity / Easy
HiFiction AG Stäffelstrasse 6 CH-8409 Winterthur +41 52 202 43 12			Base Specification Thales	
			BaseSpecs	Format A3
				Visum