

THALES STATEMENT

New Reference tonearm, based on the famous THALES correction-mechanism for tangential pivoted tracking properties. Besides the well-known advantages of the Thales Simplicity II, the new Thales Statement stands out with the following features:

Optimized mechanical energy-flow and new materials for more dynamic sound

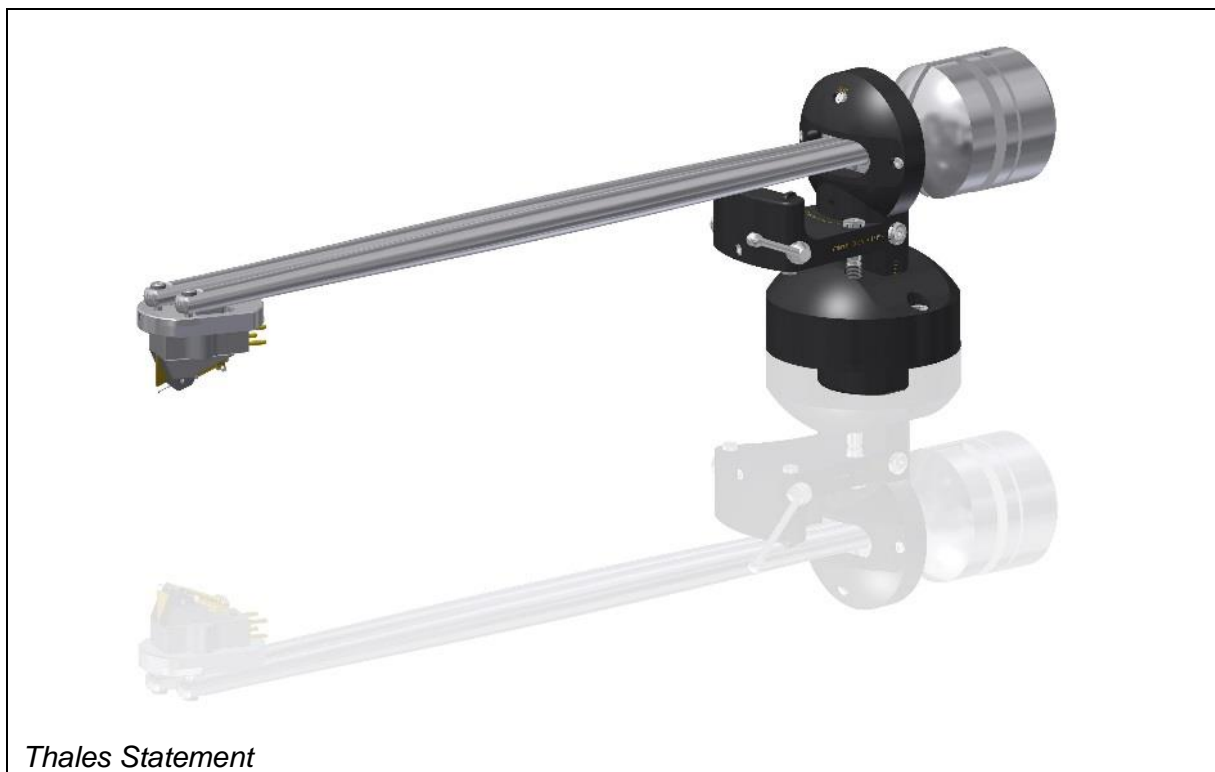
- Arm-tubes and head-shell made of special aluminium alloy with the strength of steel but 10 times higher internal damping
- Arm-tubes curved for maximum rigidity
- Bearing unit completely capsuled to increase the mechanical rigidity up to 100x
- Elliptic shaping of base parts to increase critical contact surfaces
- Diamond coating on bearing- and base-parts to increase the damping properties

Optimized electrical shielding properties

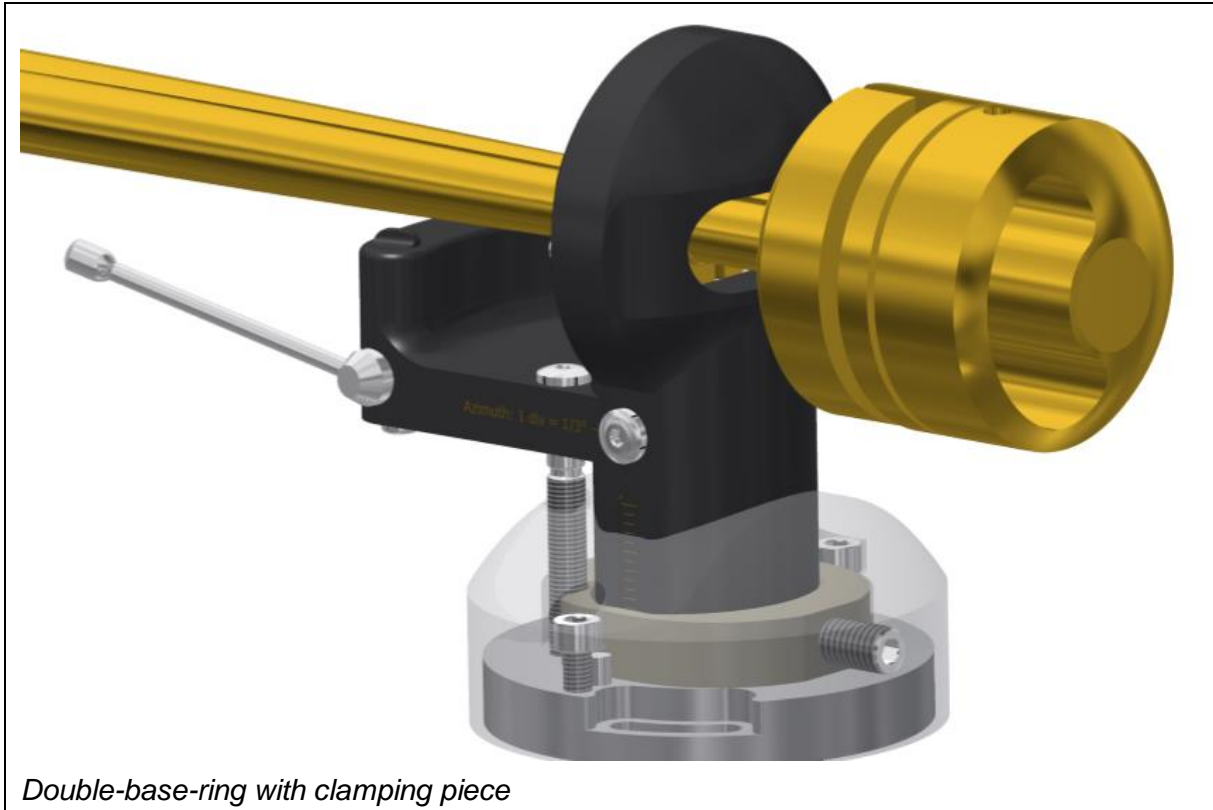
- All arm-parts golden- (for gold version) or rhodium-coated (for silver version)
- New bearing technology to ensure low-impedance connection points from base to head

New fine-adjustment-mechanism for more preciseness

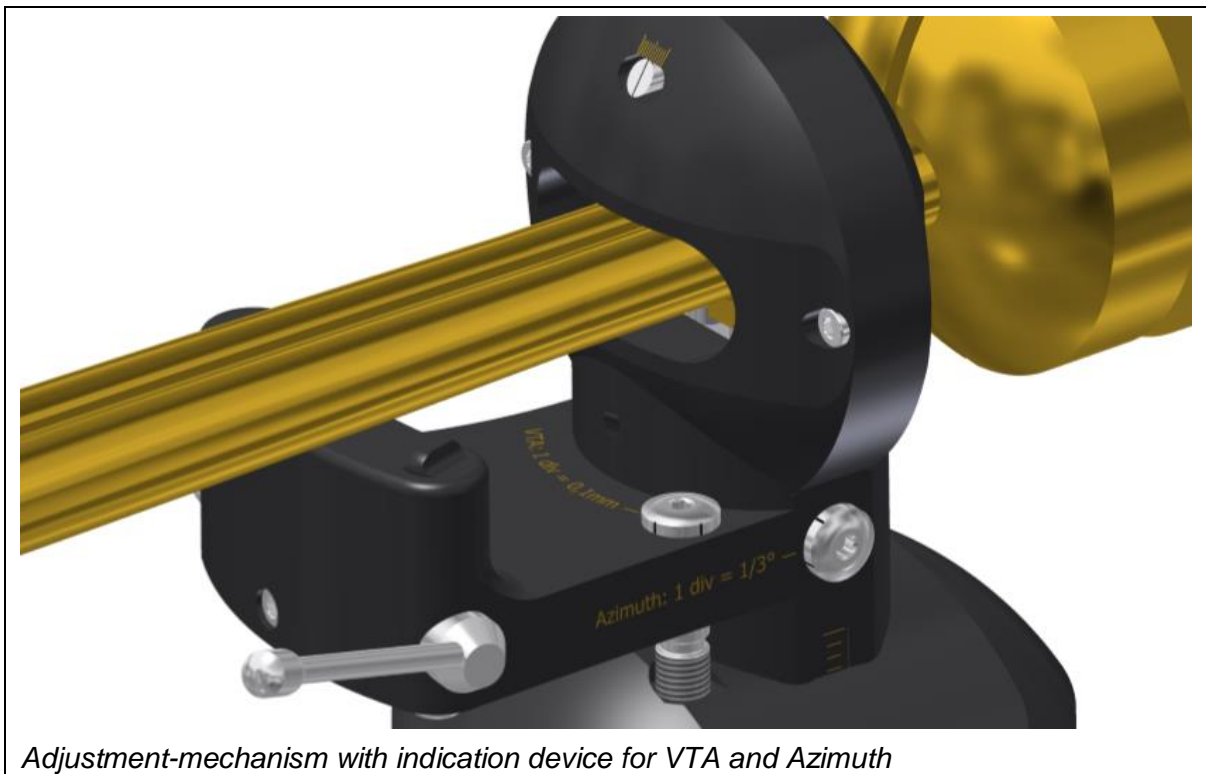
- Fine adjustment device for VTA with 1/10mm scale
- Fine adjustment device for Azimuth with 1/3° scale
- Advanced clamping mechanism inside installation-ring to allow on-fly adjustment



Clamping-mechanism



Fine-adjustment



Preview



Thales Statement Gold



Thales Statement Silver

VIDEO VTA: <http://www.tonarm.ch/files/simple-file/VTA.mp4>

VIDEO AZIMUTH: <http://www.tonarm.ch/files/simple-file/AZM.mp4>

VIDEO LIFT: <http://www.tonarm.ch/files/simple-file/LIFT.mp4>

SPECS

<i>mounting distance:</i>	230mm
<i>tracking error:</i>	0,006°
<i>eff. length:</i>	229mm
<i>eff. mass:</i>	24g
<i>offset angle:</i>	8...19°
<i>cartridge weight:</i>	7...20g

Deliverable in October 2017

selected dealers only