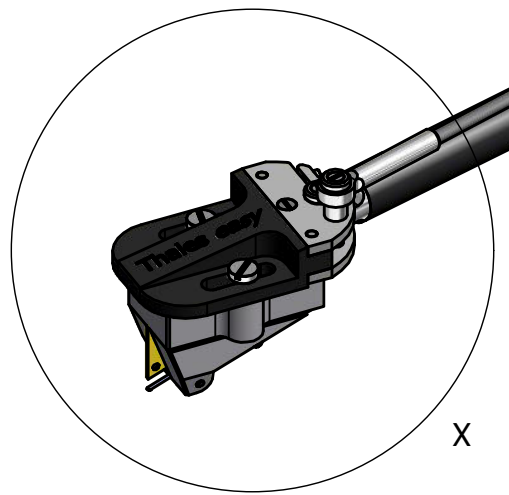
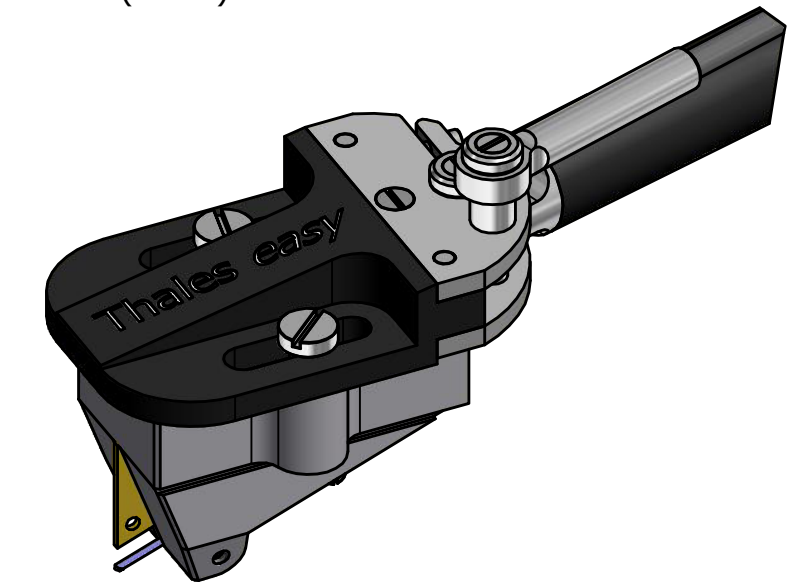


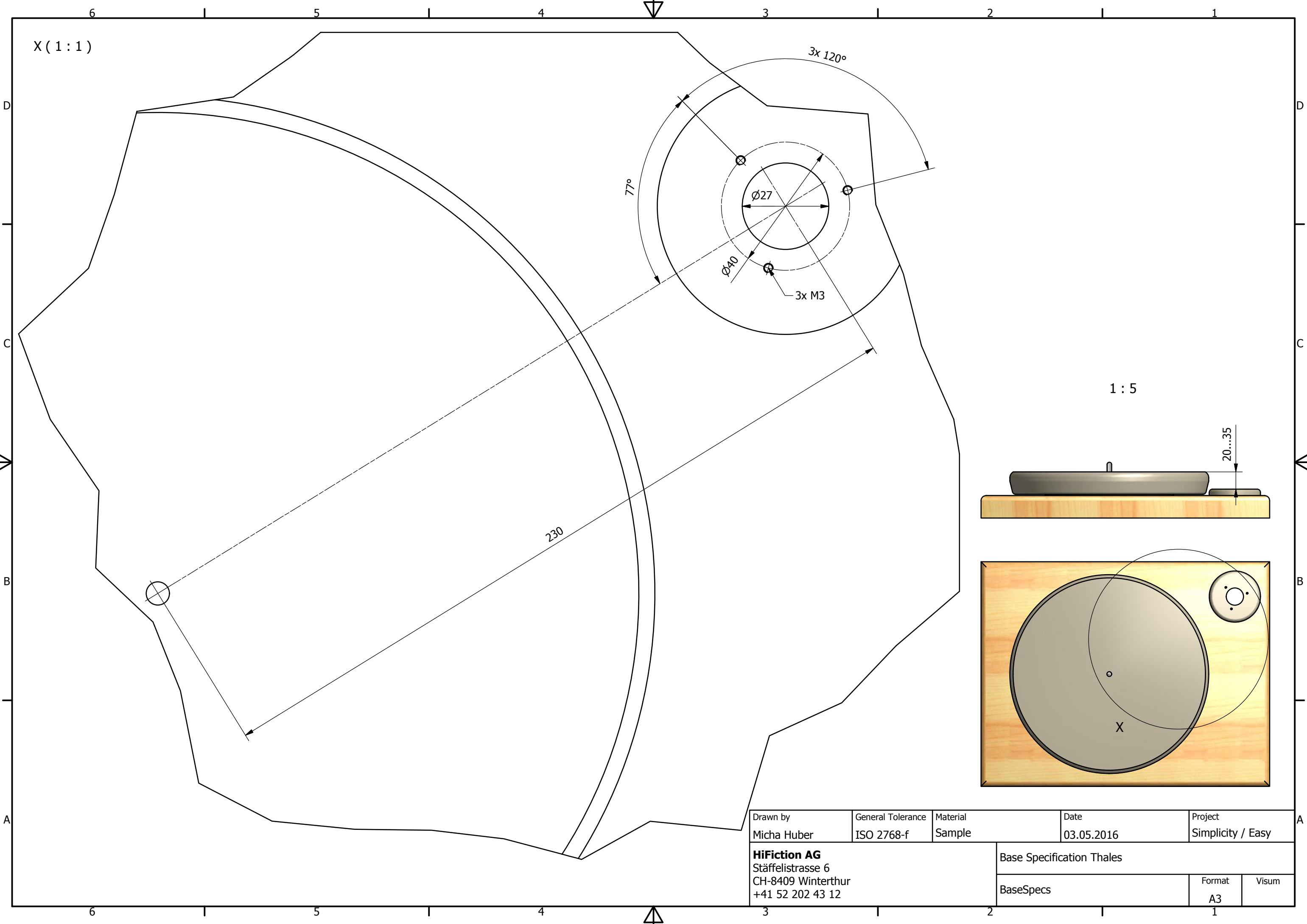
X (2:1)



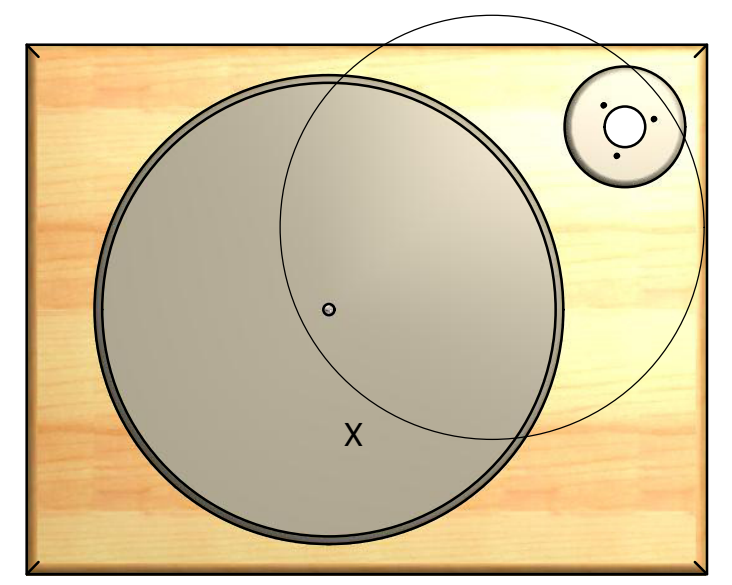
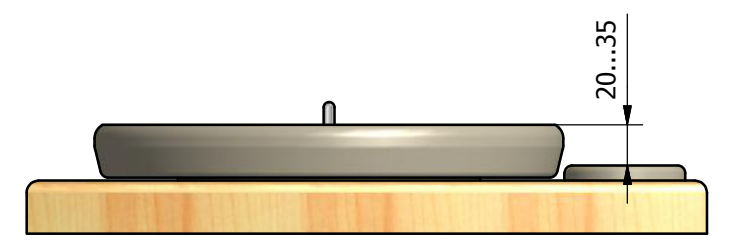
Mounting Distance	[mm]	230
eff. Length	[mm]	220
eff. Mass	[g]	10
Tracking Error	[°]	± 0,4
Offset Angle	[°]	± 12
Cartridge weight	[g]	5 - 20

Drawn by Micha Huber	General Tolerance ISO 2768-f	Material Assembly	Date 23.01.2014	Project easy
HiFiction AG Stäffelstrasse 6 CH-8409 Winterthur +41 52 202 43 12			Thales Easy	
			Format A3	Visum

X(1:1)



1:5



Drawn by Micha Huber	General Tolerance ISO 2768-f	Material Sample	Date 03.05.2016	Project Simplicity / Easy
HiFiction AG Stäffelstrasse 6 CH-8409 Winterthur +41 52 202 43 12			Base Specification Thales	
			BaseSpecs	Format A3
				Visum