



Dear Client,

Your tonearm SIMPLICITY is designed differently than all other tonearms. If you follow this manual accurately the most precise analogue playback is ensured.

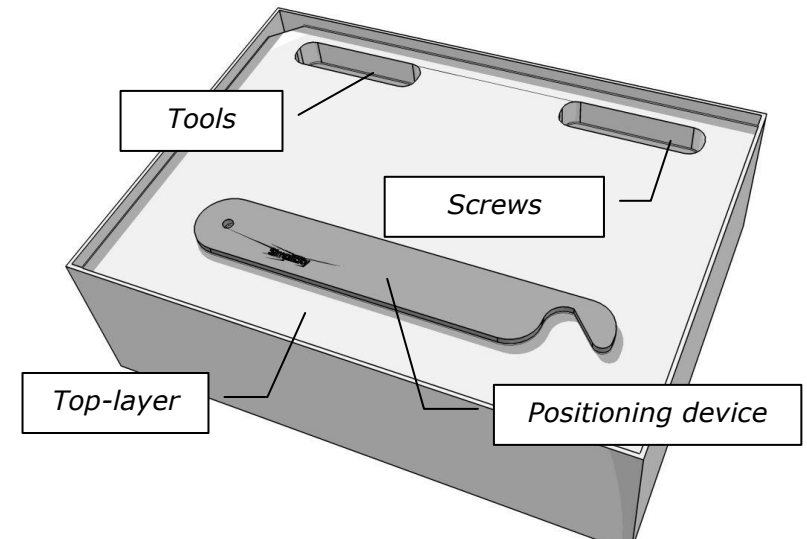
Take your time to assemble, install and adjust the SIMPLICITY. Please remember to work carefully and to follow the instruction manual step by step. Beware of using high forces or hits to this micromechanical unit.

1) Unpacking SIMPLICITY

Open the box and take out the following items carefully:

1. *Positioning device*
2. *Tools*
3. *Screws*

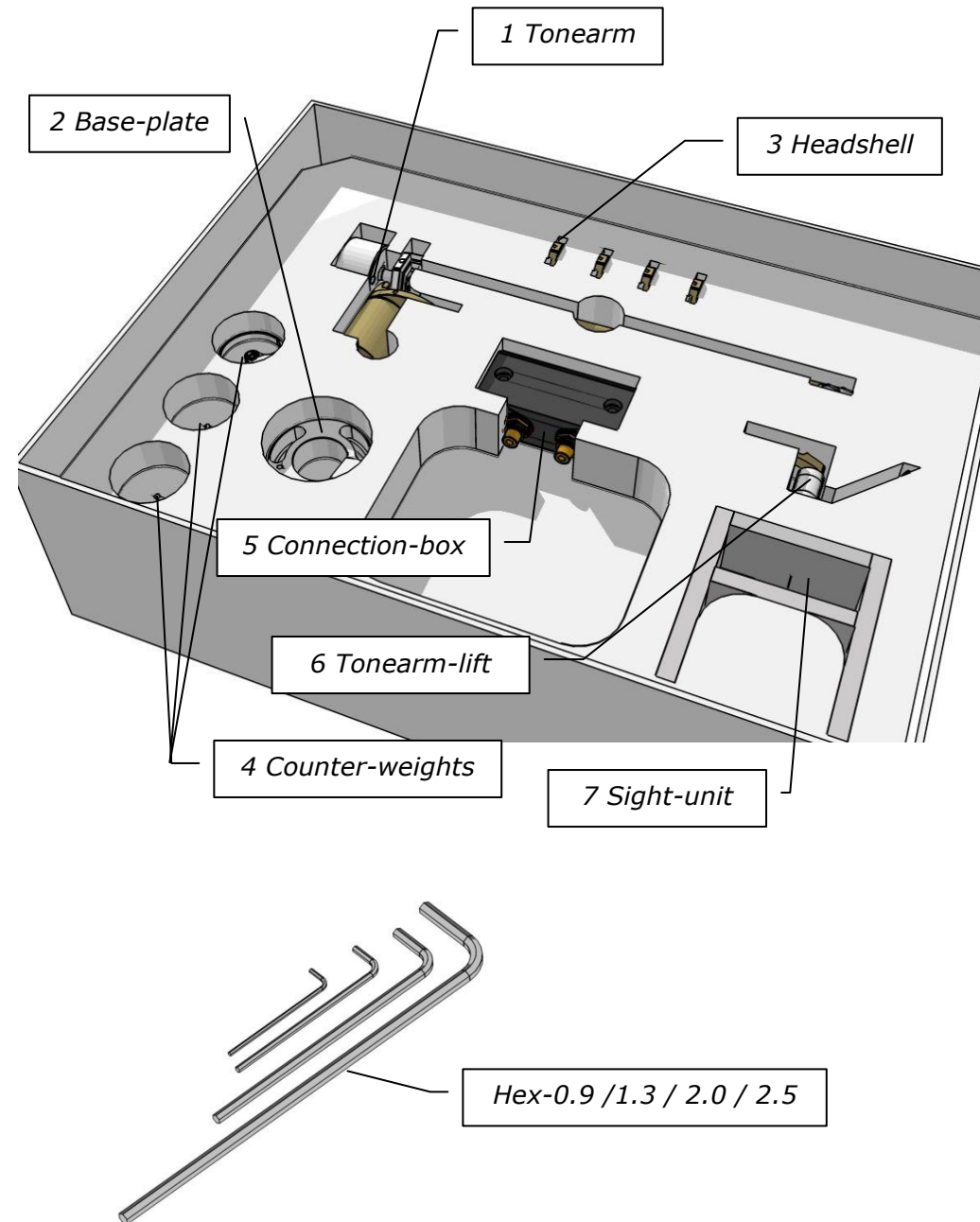
Place these items well ordered on a piece of paper. Then take away the top-layer of the packaging material.



2) Content

After taking away the top-layer you will see the following items in the packaging unit:

- 1) Tonearm: Main unit. Please handle with adequate care.
- 2) Base-plate: This item is to be installed on the turntable.
- 3) Headshell: The Simplicity is delivered with a separate headshell for quick installation and changing of the cartridge.
- 4) Counter-weights: The Simplicity is delivered with three different counter-weights to balance a wide range of cartridges.
- 5) Connection-box: The connection-box is attached to the internal wiring of the tonearm.
- 6) Tonearm-lift: The tonearm-lift is separated from the main unit for transport reasons.
- 7) Sight-unit: This unique and ingenious tool enables you to install the cartridge in an absolute precise position.
- 8) All the necessary hex key wrenches (0.9 / 1.3/ 2.0 / 2.5) are enclosed. They are used for assemblage as well as adjustment.

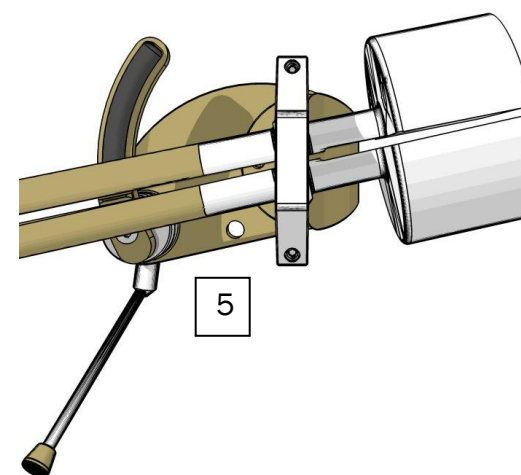
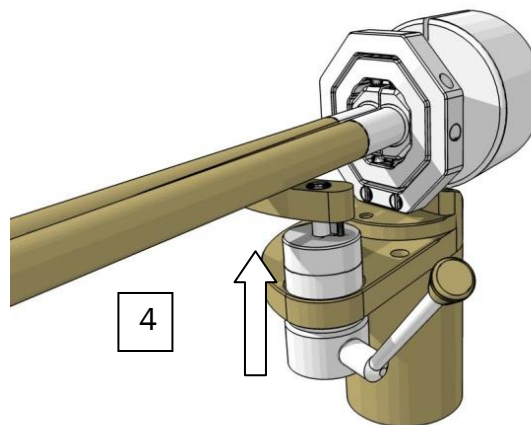
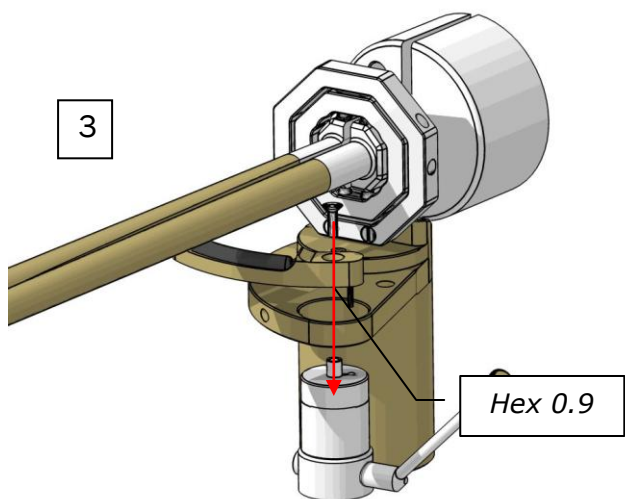
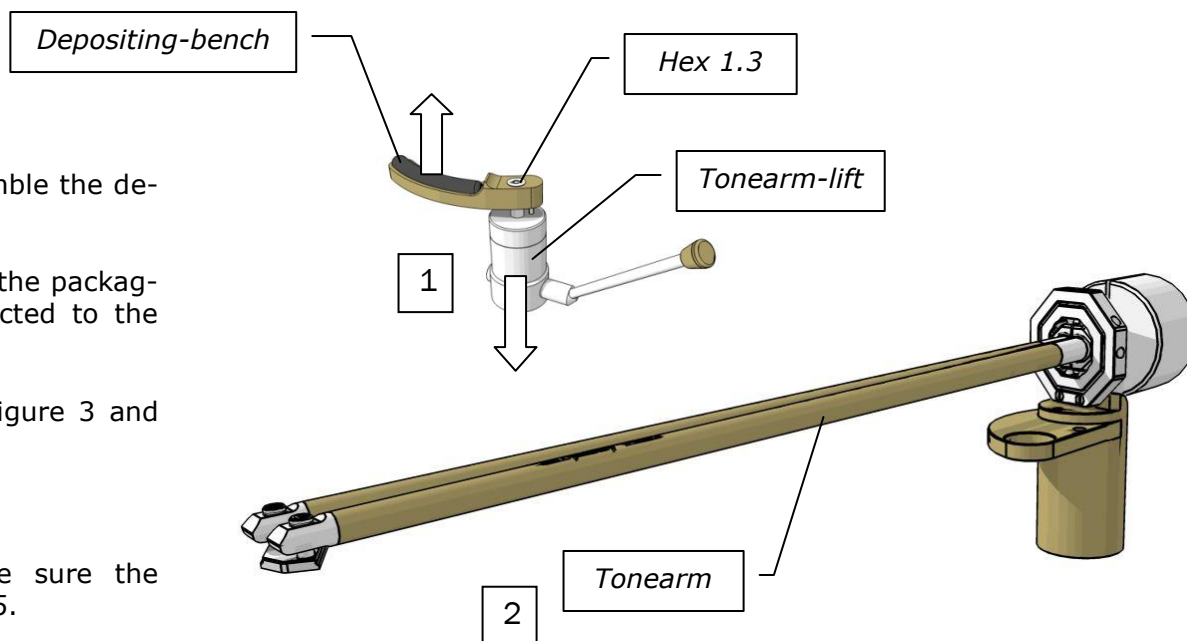


3) Mounting the tonearm-lift

- 1) Take the tonearm-lift out of the packaging and disassemble the depositing-bench using the hex key 1.3.
- 2) Take the tonearm, including the connection-box, out of the packaging carefully. Make sure not to break any wire connected to the connection-box.
- 3) Insert the tonearm-lift into the tonearm as shown in figure 3 and reassemble the depositing-bench.
- 4) Move the tonearm-lift to the topmost position.
- 5) Lock the tonearm-lift using the hex key 0.9. Make sure the tonearm-lift is in the correct position as shown in figure 5.

If you need to adjust the height or position later this can be done easily by losing the screw (Hex 0.9), and adjusting and tightening it again.

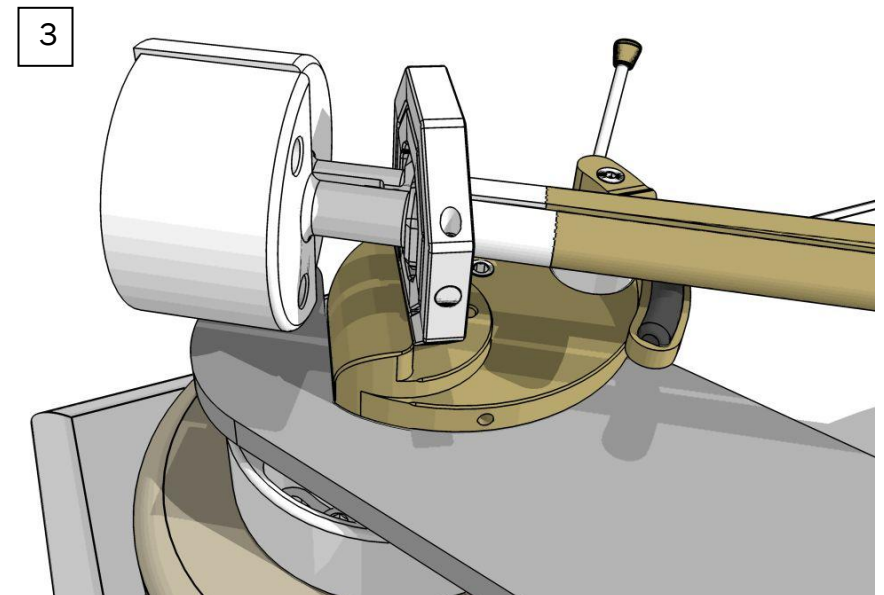
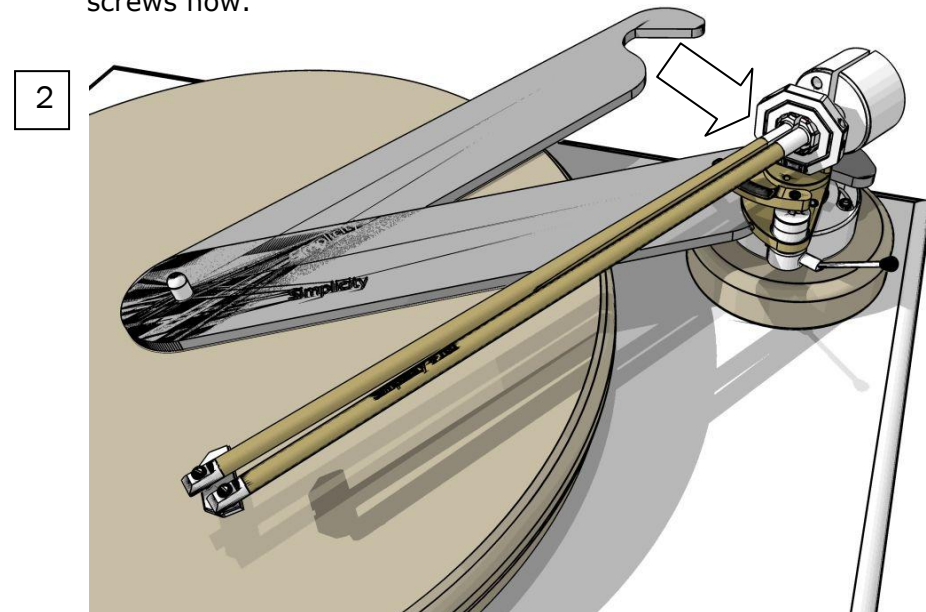
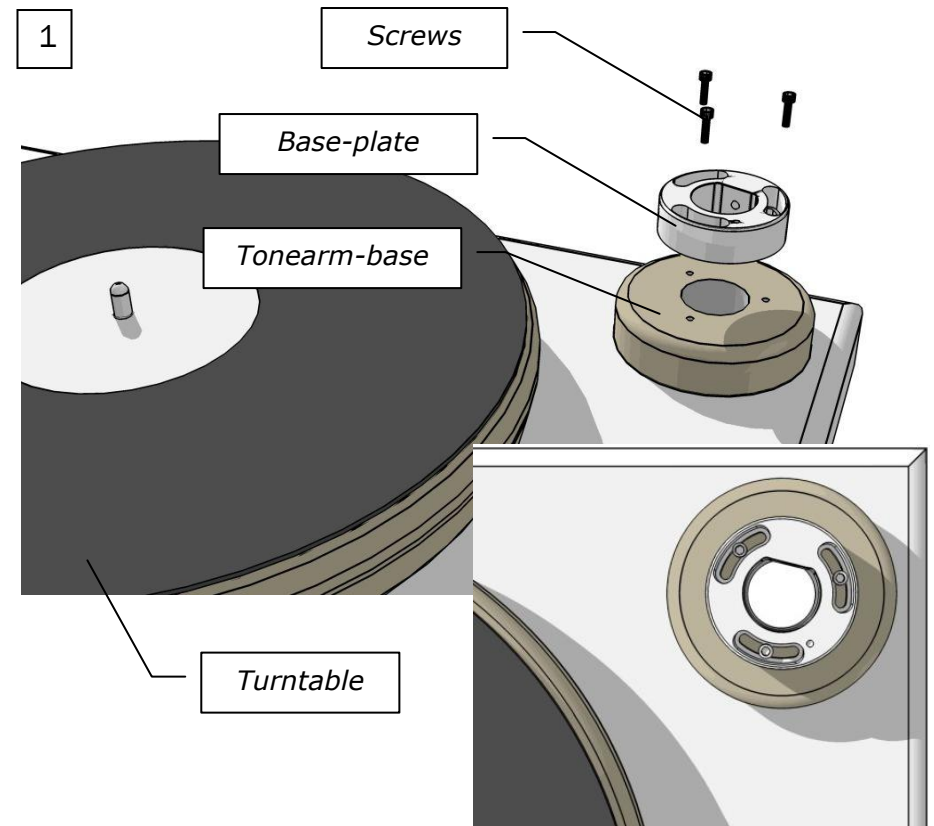
Place the assembled unit carefully on a soft underlayment. Make the turntable ready for the installation as described in the next chapter.



4) Installing the tonearm

Make sure the turntable and the tonearm-base are manufactured according to our specifications. Please ask your dealer or visit our website for any further information. Remember that a proper installation of the tonearm is absolutely necessary for the perfect tracking of the SIMPLICITY.

- 1) Install the base-plate on the tonearm-base by using the three fitting screws. **Tighten the screws gently so that the base-plate stays in position but still can be moved manually!**
- 2) Carefully place the tonearm into the base-plate and fix the connection-box with two screws. Put the positioning-device on the spindle of the turntable and turn it towards the shaft of the tonearm.
- 3) Move the base-plate until it fully fits into the profile of the positioning device.
- 4) Turn the positioning device away from the tonearm. Make sure not to move the base-plate anymore. Fully tighten the three mounting screws now.



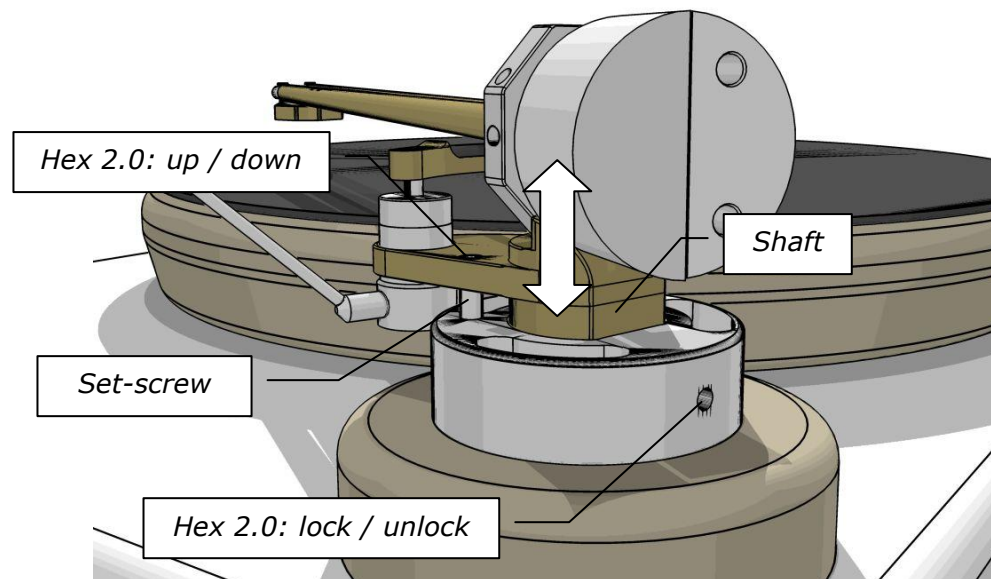
5) Adjusting the VTA

The tonearm should always be more or less parallel to the record-surface. The VTA (Vertical Tracking Angle) has an influence on the sound. It can be adjusted easily and precisely, even while playing.

To adjust the VTA please follow these directions.

- 1) Make sure the locking-screw is unlocked and the shaft moves up and down freely.
- 2) Make sure you use the correct length of the set-screw. If the length does not fit exchange the set-screw with another length. Three different set-screws are delivered with the SIMPLICITY.
- 3) Use the long side of the hex key to move the tonearm up or down.

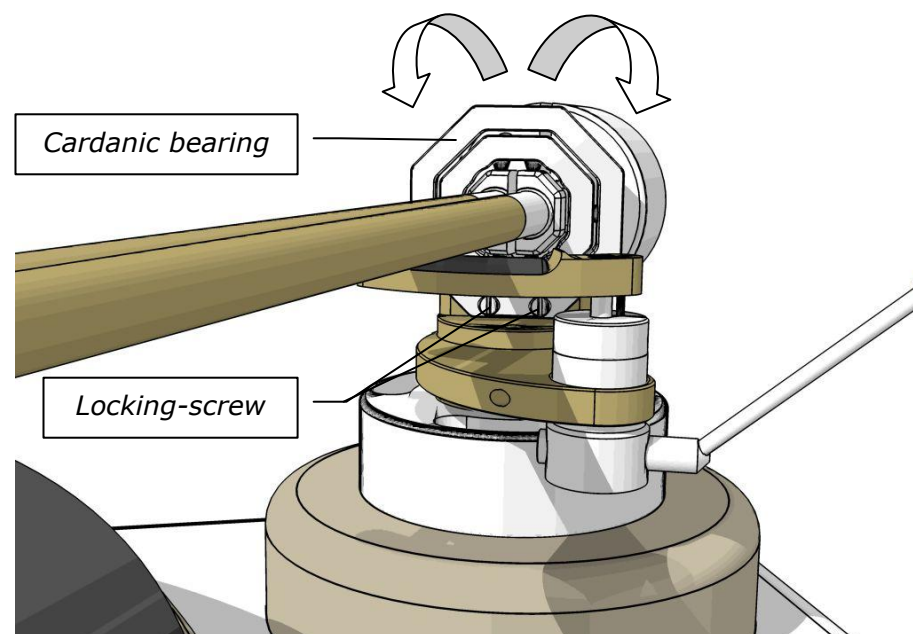
4) Tighten the locking-screw again. Do not forget to do this, as it has an audible influence on the sound (dynamics).



6) Adjusting the Azimuth

The azimuth of the cartridge (Horizontal Tracking Angle) can be adjusted by turning the cardanic bearing around an internal bolt. The azimuth has been set carefully at our workshop. If the cartridge is manufactured correctly, there is no adjustment needed. We do not recommend to adjust the azimuth, except if you have a problem with the channel separation.

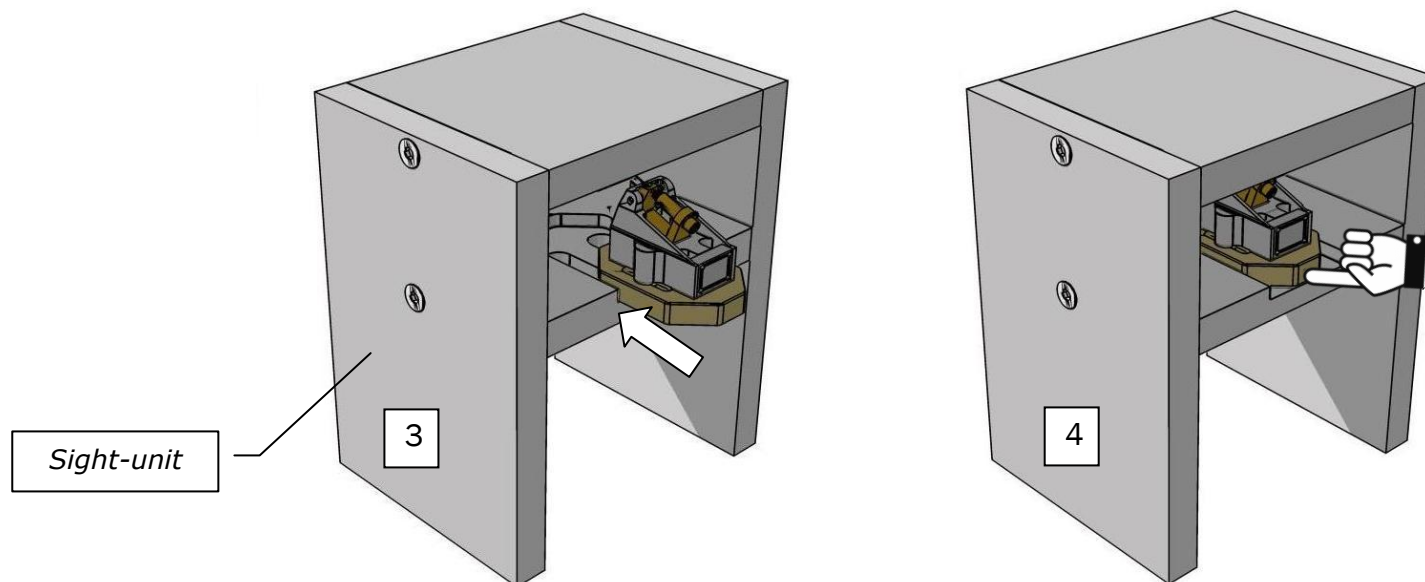
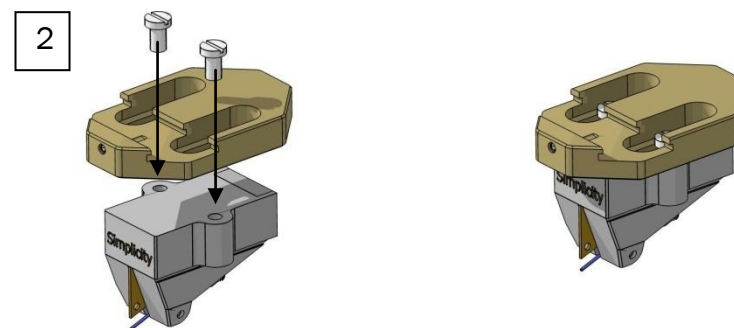
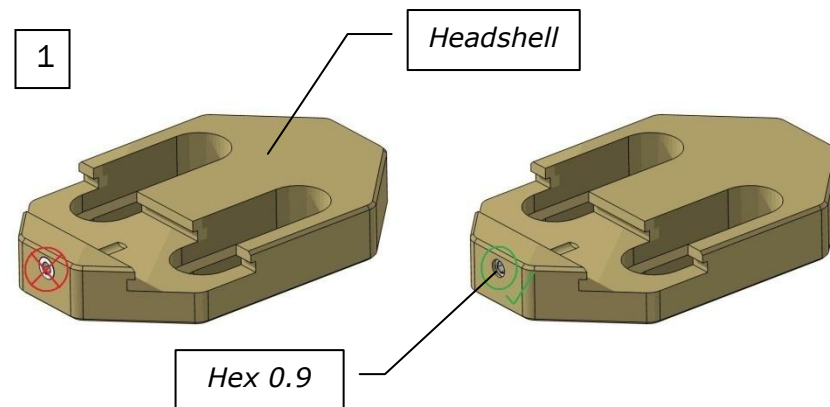
- 1) Loose the two locking-screws. Do not take away the screws but just untighten them.
- 2) Move the cardanic bearing carefully to set the azimuth parallel to the record surface.



7) Installing the cartridge

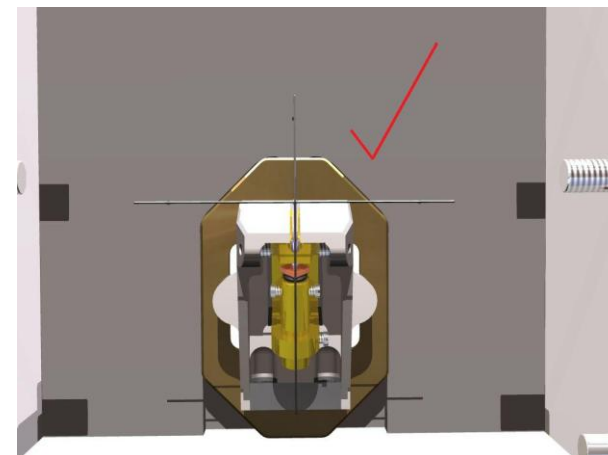
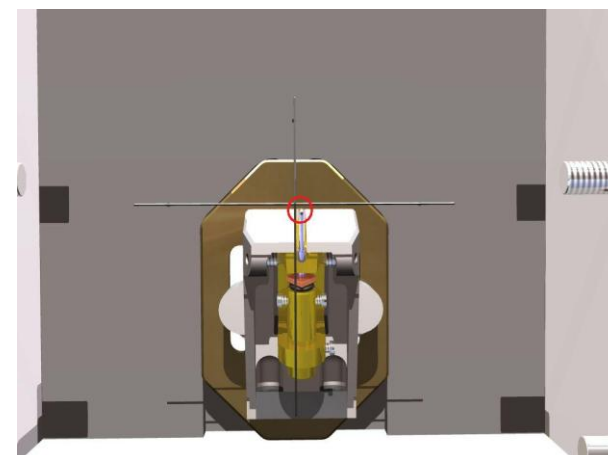
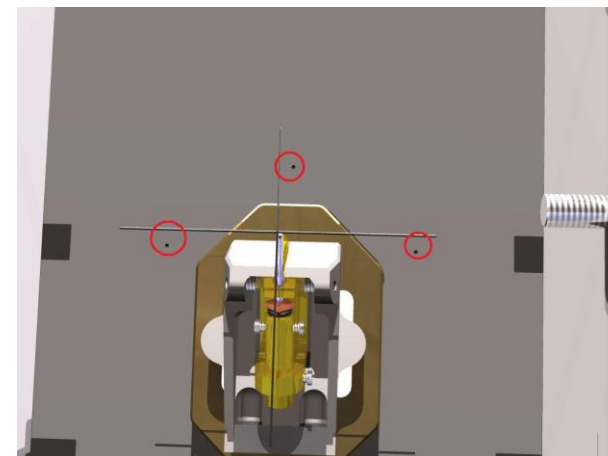
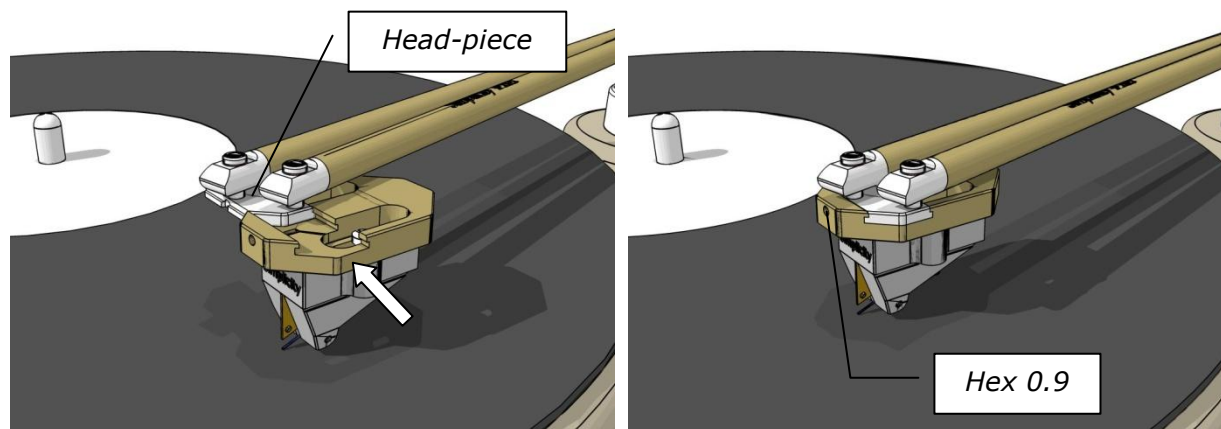
The SIMPLICITY offers a unique way to install the cartridge very accurately and get all the advantages of the ultra-precise tracking. The headshell can be taken apart for easy installation. To install the cartridge correctly follow these directions step by step.

- 1) Make sure the internal screw of the headshell does not project out of the front surface of the headshell. Use the Hex 0.9 to adjust it.
- 2) Prepare the cartridge and the cartridge screws for installation. Make sure you use the cartridge screws delivered with the SIMPLICITY, as another type might block the installation on the tonearm. **Tighten the screws gently so that the cartridge stays in position but still can be moved manually!**
- 3) Carefully move the headshell and cartridge into the sight-unit. Make sure not to break the diamond tip.
- 4) Keep the cartridge assembly in the sight unit. Make sure it does not move.



8) Adjusting the cartridge

- 1) Make sure you look to the sight-unit in an absolute upright position. There are three points engraved around the cartridge to control the exact perpendicular view. Make sure these three points fit to the target-line as shown in the picture.
- 2) Carefully move the cartridge until the diamond definitely fits the target-cross. Make sure the cantilever is exactly under the target-line.
- 3) Tighten the screws from underneath if needed.
- 4) Move out the cartridge unit carefully. Make sure there is no movement between the cartridge and the headshell.
- 5) Fully tighten the screws equally.
- 6) Please verify the correct setting.
- 7) Attach the headshell to the tonearm by carefully sliding it to the head-piece. Tighten the locking screw at the front of the headshell.



9) Setting the tracking force

Three different counter-weights are delivered with the SIMPLICITY. They fit for light, medium, and heavy cartridges. The counter-weight is moved towards the cartridge for lower tracking forces and away from the cartridge for higher ones. Please use a proper tonearm-gauge to check the tracking force. Two additional eccentric pieces are attached to the counter-weight to ensure the constancy of the tracking force across the record surface.

- 1) Please choose the size of the counter-weight fitting your cartridge. Mount the slimmest eccentric piece using the fitting screw.
- 2) Carefully attach the counter-weight-assembly to the main tonearm unit. Move towards the cartridge to lower the tracking force. If you cannot reach the tracking force wanted choose another counter-weight. Use the two locking screws to lock the position of the assembly.
- 3) Use the eccentric piece to ensure the constancy of the tracking-force. Turn it according to the illustrations below. If the constant tracking force cannot be reached, choose the thicker eccentric piece or both of them.

