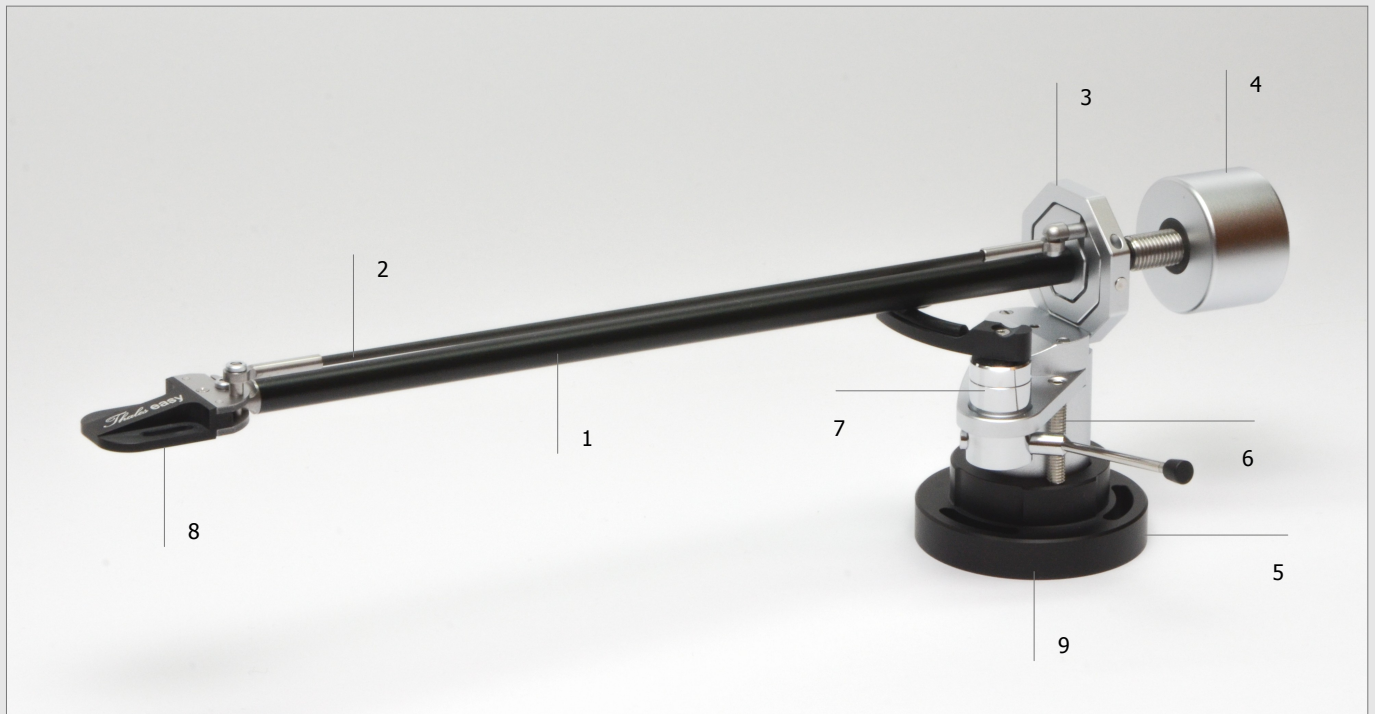


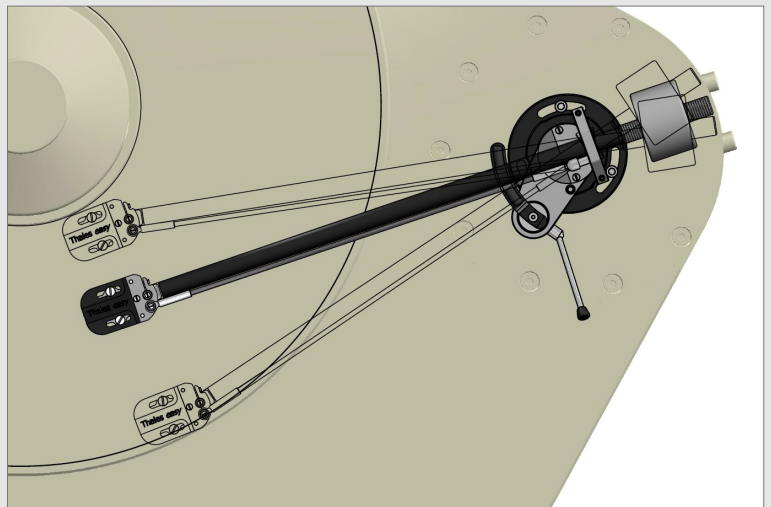
Thales Tonarm

Easy





- 1 Main-arm, made of Aluminium
- 2 Guiding-arm, made of carbon
- 3 Cardanic bearing, TTF-technology
- 4 Counter-weight
- 5 Base-ring, EMT / Ortofon standard
- 6 VTA-adjustment
- 7 Tonearm-lift
- 8 Headshell
- 9 Integrated 5-pin-DIN-connector



Thales Easy: less tracking error and less side-forces

The Easy tonearm is named, as it is an *easy* way to enter the world of perfect analogue tracking. The design of the Easy tonearm enables a variable offset angle and this is based on a newly developed and highly innovative geometry. The clever arrangement of six bearing points creates three null points for the horizontal tracking error, plus a zero point for the variable offset angle as well and this is really unique for a tonearm design.

This means the cartridge is guided along the ideal tracing line just like that of a parallel tracking tonearm. As well as perfect tracking, side forces are reduced tremendously and this is clearly audible when listening to the EASY tonearm.

Each tonearm will be delivered with a precise protractor for installation and adjustment. Two counterweights are also provided to allow a wide range of cartridges (5 to 20 grams) to be fitted.

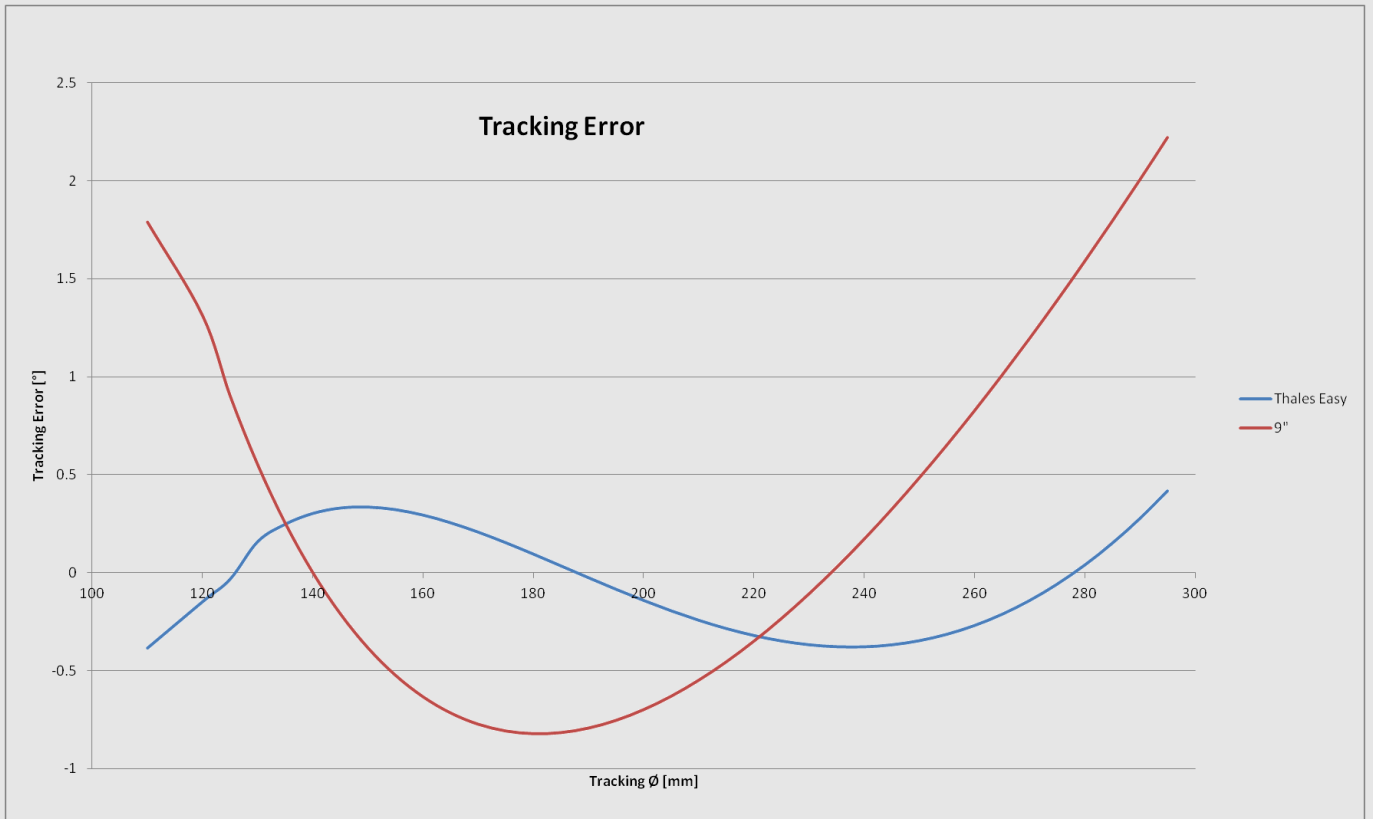
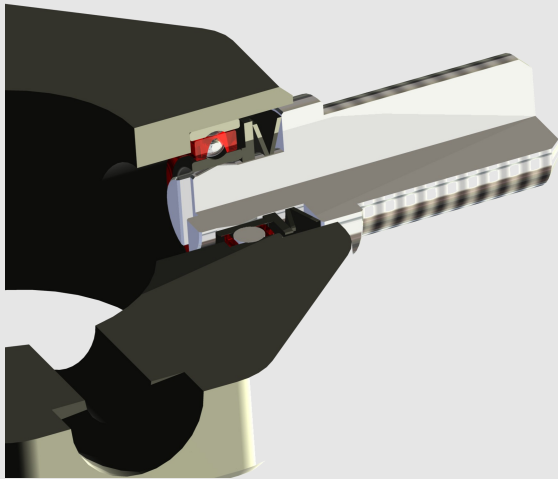


Diagram comparing the tracking error of a traditional 9" tonearm and the Thales Easy



The variable offset angle of the Thales Easy compared with the fixed angle of a traditional 9" tonearm



TTF-Technology

Based on our long lasting experience in building micro-bearings for high-end tonearms, we started in 2012 to develop the TTF (Thales-Tension-Free) technology. This technology should combine the advantages of traditional jewel bearings (damping properties, one point contact and angular alignment) with the benefit of the ball bearing (load resistant, solid). Much research was made before this new technology could be implemented in our tonearms. TTF technology gives incredibly low friction values, absolute freedom of backlash and as a nice side effect, an integrated shock absorbing system.

Thales Easy

Features

- Tracking error: $\pm 0,4^\circ$
- Offset angle: $\pm 12^\circ$
- Bearing with five axis and eight micro ball bearings
- Fine-adjustment-mechanism for VTA
- black anodized aluminium parts
- effective length: 9 inches
- effective tonearm mass: 10g
- very flexible internal wiring, purest copper
- integrated 5-pin-DIN-connector
- delivered incl. protractor